



# PROLYTE STRUCTURES

## Product NEWS


**PROLYTE  
GROUP**

### H40R TRUSS

#### H40R truss: the perfect marriage

What if we were to combine the best features of our top selling trusses and merge them into something new? Brand Manager Eric Laanstra frequently received enquiries for a smaller truss with a higher loading capacity and has masterminded the perfect solution. With his team of engineers he has designed the H40R truss, a rectangular standard H40 truss with a very clever programme of specifications based on the H30V, H40V and S36R truss.

#### Compact and strong

The H40R has three-sided webbing. The thicker braces on the bottom side allow easy mounting of automated luminaires/moving heads and central loading, reducing the torsion effect resulting from one-sided loading in standard trusses. The spigot orientation follows that of the S series truss, allowing easy assembly while the truss is still on the floor. The H40R measures 387 mm high by 287 mm wide. The diagonals are placed to allow room for a 30D truss to rest on the bottom chords.

Its compact design makes the H40R easier and more cost effective to transport. The loading rate is comparable to the H40V, although lateral forces are limited due to the three-sided webbing.

The H40R is available in all standard lengths as well as a box-corner. Apart from the standard lengths and boxcorner for the H40R range, Prolyte has added a convenient box corner attachment.

With the BOX-40R-A-001 attachment you can create corners on a 50x50 cm size, which is a great help when building more complex structures or where exact symmetry is required.

#### SPECIFICATIONS:

Main chords	48x3 mm
Bottom braces	48x3 mm
Diagonals	20x2 mm
Coupling system:	CCS6

#### AVAILABLE IN:

Lengths:	All standard lengths
Corners:	BOX-40R

#### MEASUREMENTS:

387 mm height
287 mm width

### BOX-40R-0



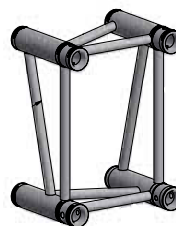
### H40R GRID



### H40R-L200



### BOX-40R-A-001



Prolyte Group HQ  
Leek, Netherlands  
info@prolyte.com

Prolyte Products UK Ltd  
Wakefield, England  
info@prolyte.co.uk

Prolyte Products GmbH  
Emsdetten, Germany  
info@prolyte.eu

Prolyte Products RO SRL  
Slatina, Romania  
orders@prolyte.ro



WWW.PROLYTE.COM



# PROLYTE STRUCTURES

## Product NEWS



H40 SERIES	WEIGHT	RECTANGLE
H40R-L071	6,8 kg	RECTANGLE 40 LENGTH
H40R-L100	8,1 kg	RECTANGLE 40 LENGTH
H40R-L150	12,4 kg	RECTANGLE 40 LENGTH
H40R-L200	14,8 kg	RECTANGLE 40 LENGTH
H40R-L250	17,6 kg	RECTANGLE 40 LENGTH
H40R-L300	20 kg	RECTANGLE 40 LENGTH
H40R-L400	27 kg	RECTANGLE 40 LENGTH

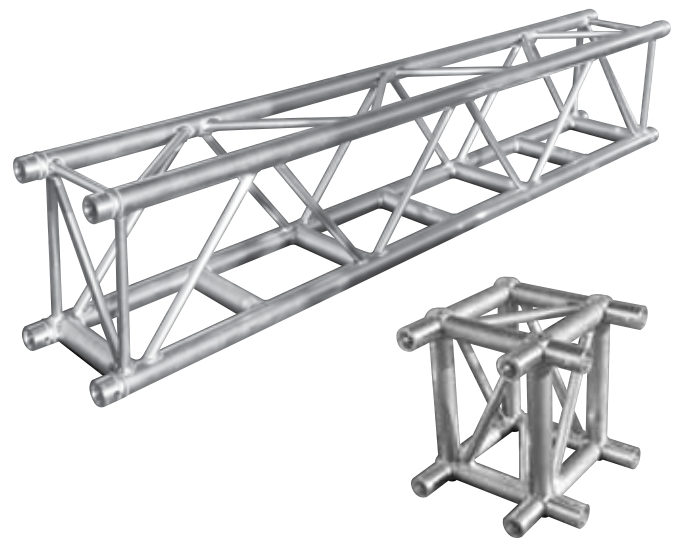
H40 SERIES	WEIGHT	RECTANGULAR BOX CORNERS
BOX-40R-0	9,5kg	BOXCORNER 40V

### ATTACHMENT for boxcorner size (needed 4 per side)

CCS6-651	COUPLER 600, FEMALE/12MM HOLE
BM-M12X035	BOLT 8.8 M12 X 35 MM
BM-M12-SW	SPRING WASHER, M12 DIN-127B

### Fixed attachment for boxcorner size 50 x 50cm

BOX-40R-A-001	FIXED ATTACHMENT FOR BOXCORNER 40R
Also needed per attachment	
BM-M12x035-IB	M12x35 bolt Hexagon
BM -M12-SW	M12 springwash



Prolyte Group HQ  
Leek, Netherlands  
info@prolyte.com

Prolyte Products UK Ltd  
Wakefield, England  
info@prolyte.co.uk

Prolyte Products GmbH  
Emsdetten, Germany  
info@prolyte.eu

Prolyte Products RO SRL  
Slatina, Romania  
orders@prolyte.ro

© 2011 Prolyte Group  
Prices are in Euro's, CPT (Incoterms), excluding VAT, packaging and transport costs. We reserve the right to alter prices, products, codes and technical information without prior notice.



WWW.PROLYTE.COM