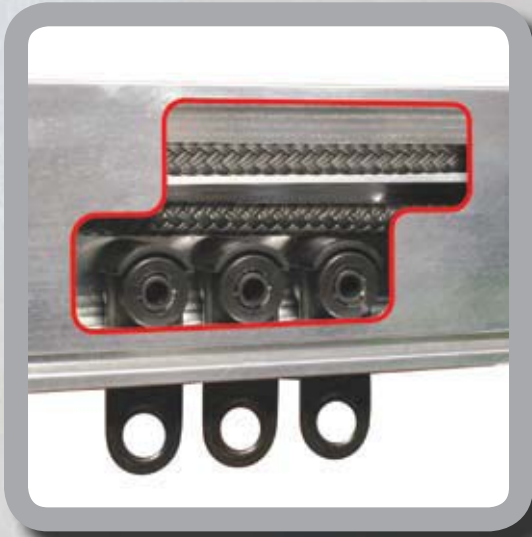


AL-TRACK



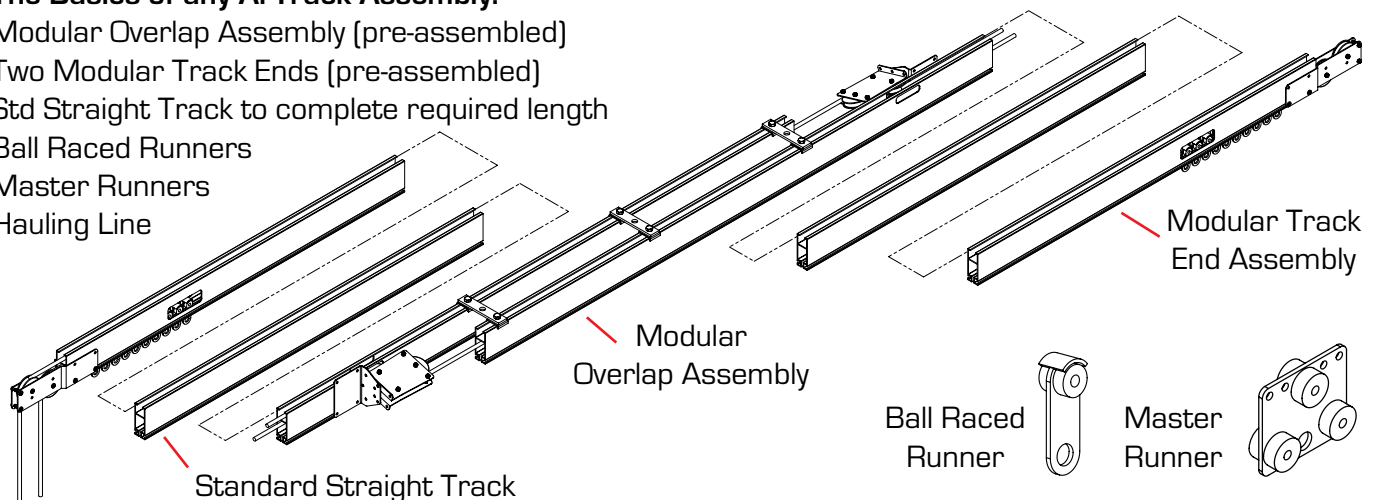
Aluminium Curtain Track

- **Features:**
- A Stylish Aesthetically Pleasing Lightweight Straight Curtain Track.
- Quick and Easy to Install.
- Supplied as Modular Assemblies.
- Suitable for Installation by End Users.
- Slimline Design to suit Discreet Applications.
- Enclosed Hauling Line.
- Fully Ball Raced Runners.
- No Need to Order Special Lengths, these can be Cut on Site from Standard Lengths. Available as Walk Along, Handline Operated or Electrically Driven.
- **Built and Tested to the following standards:**
- BS7905
- Low Voltage Directive (2006/95/EC)
- **Safe Working Loads:**
- 1.3Kg per Runner with 3 metre Suspension Points.
- 2.6Kg per Runner with 1.5 metre Suspension Points.



The Basics of any AI-Track Assembly:

- Modular Overlap Assembly (pre-assembled)
- Two Modular Track Ends (pre-assembled)
- Std Straight Track to complete required length
- Ball Raced Runners
- Master Runners
- Hauling Line



Doughty Engineering Ltd

Crow Arch Lane, Ringwood, Hampshire, BH24 1NZ
 Tel: +44 (0) 1425 478961 Fax: +44 (0) 1425 474481
 sales@doughty-engineering.co.uk www.doughty-engineering.co.uk